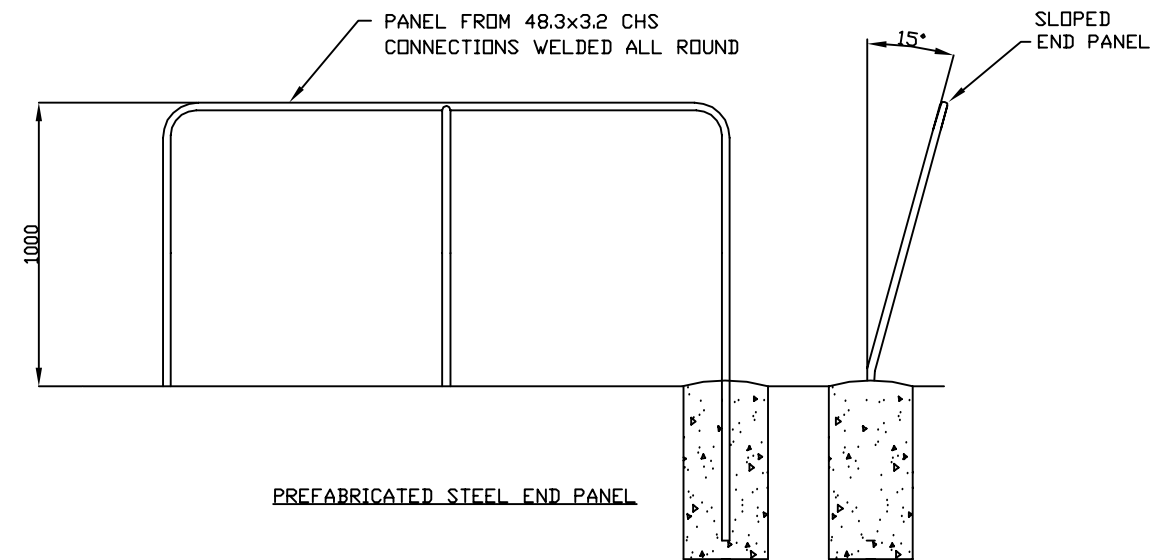
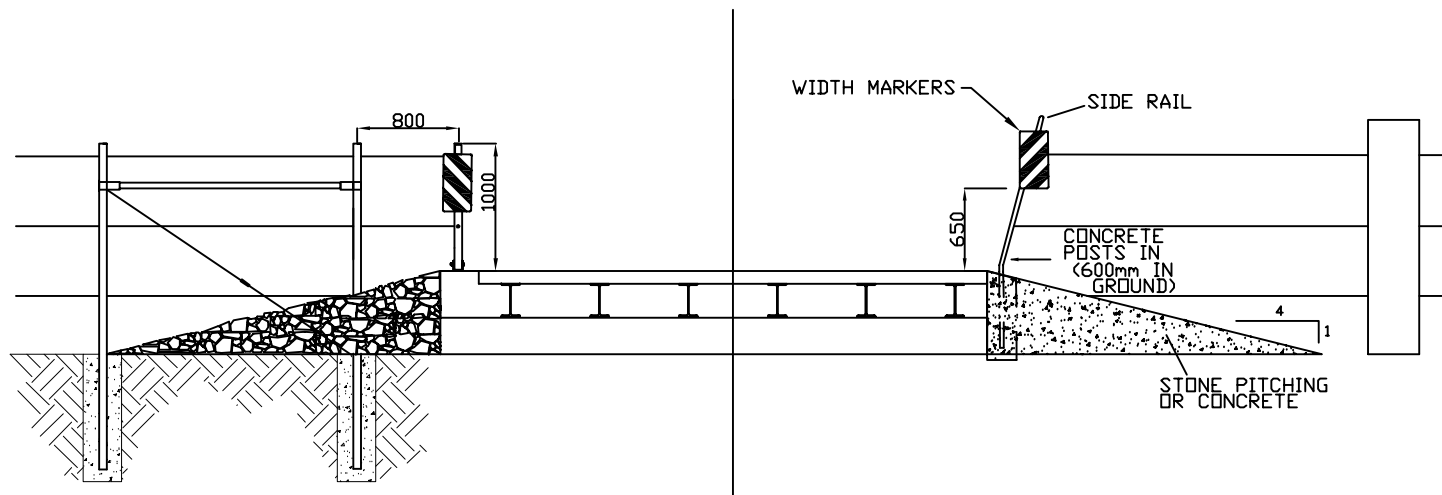


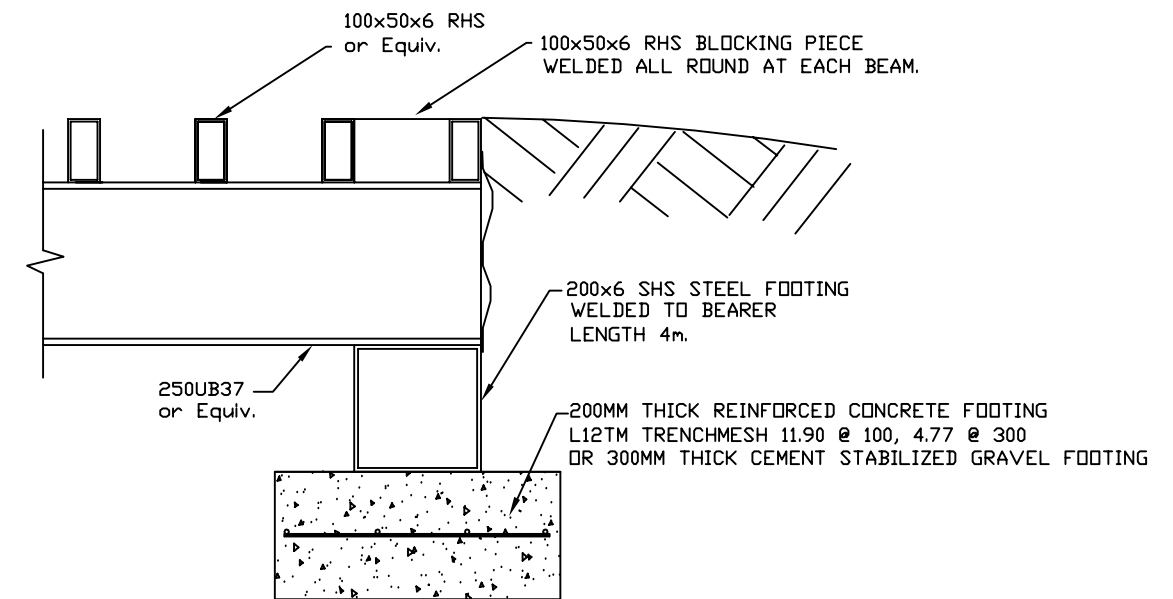
WINGWALL, FENCE AND END PANEL OPTIONS



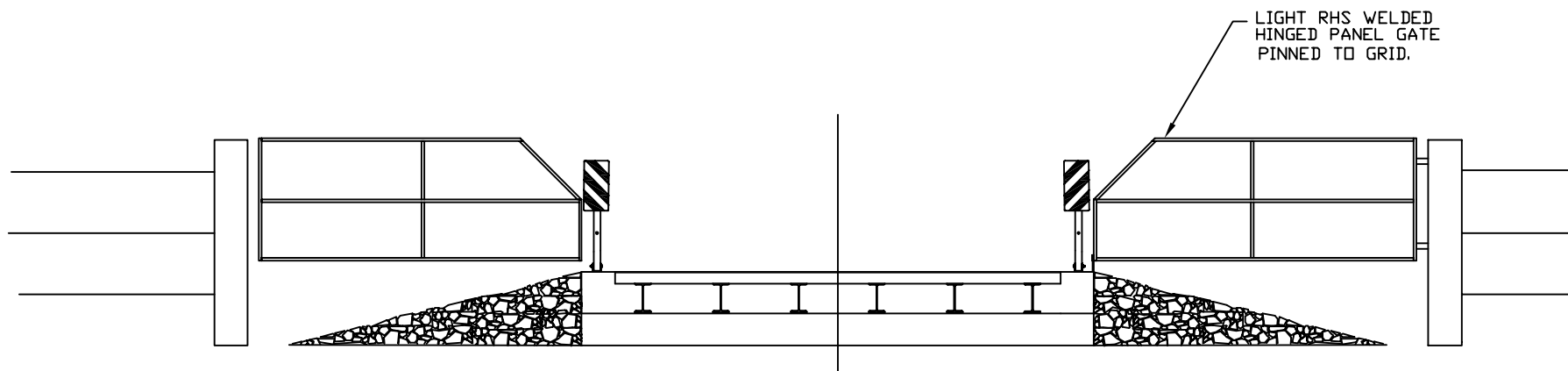
PREFABRICATED STEEL END PANEL



END PANEL AND FENCE OPTIONS



PREFABRICATED STEEL FOOTING



FENCE AND WIDTH MARKER OPTIONS

MK	DETAILS OF AMENDMENTS	APPROVED BY:	DATE



**CHARTERS TOWERS REGIONAL COUNCIL**  
 12-14 MOSMAN STREET  
 (P.O. BOX 189)  
 CHARTERS TOWERS, QLD, 4820  
 Phone:(07)47615300 Fax:(07)47615344

SURVEY	SCALE/NTS	DATE
DATUM	CHECKED	DATE
DESIGN	APPROVED	DATE
DRAWN: RJG/UGH	APPROVED EXEC. MGR. ROADS INFRASTRUCTURE	

S0049-2 GRID END PANELS & FENCE OPTIONS

SHEET 4 OF 4					
A3					
a	b	c	d	e	f